

MF, Magnetic Filter Holder



Features

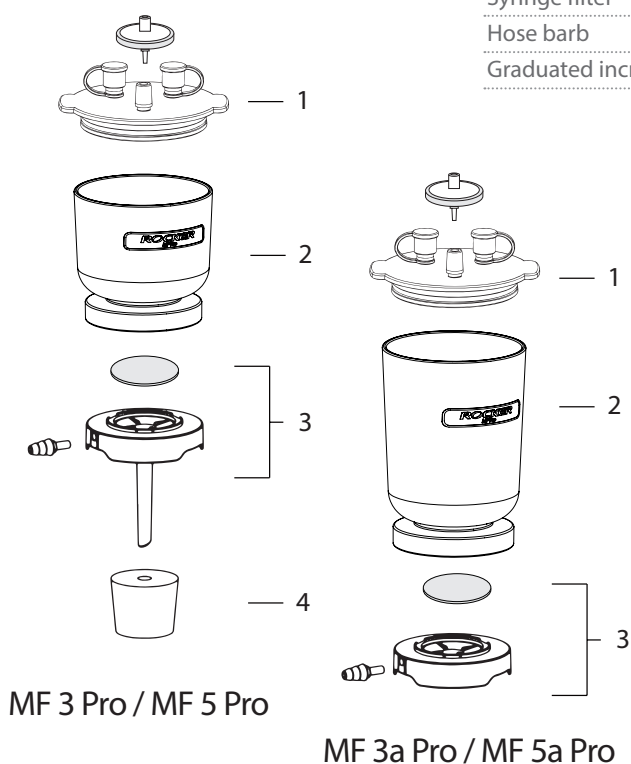
- ▶ Magnetic seal makes it easy to operate with one-hand and prevents twists of membranes.
- ▶ Compatible with various kinds of bottles and vacuum flasks.
- ▶ Membrane guide at support base helps position membrane easily.
- ▶ Forceps access points on support base help retrieve membrane without damage.
- ▶ MF Pro series filter holders are applied with PPSU, which provides better chemical and heat resistance than PES. Making them more durable and long-lasting.
- ▶ International certification : RoHS certification

Recommended for applications that require frequent autoclaves in pharmaceutical and biotech labs.

Specifications

Material	MF 3 Pro / MF 5 Pro	MF 3a Pro / MF 5a Pro
Funnel	PPSU	PPSU
Support base	PPSU	PPSU
Membrane support	PPSU	PPSU
Funnel lid	PP	PP
Hose barb	PPSU	PPSU
Cap of lid	Silicone	Silicone
Syringe filter	PTFE	PTFE

Specifications	MF 3 Pro / MF 5 Pro	MF 3a Pro / MF 5a Pro
Funnel capacity	300 mL / 500 mL	300 mL / 500 mL
Filter diameter	47 mm	47 mm
Effective filtration area	13.1 cm ²	13.1 cm ²
Syringe filter	25 mm, 0.2 μm	25 mm, 0.2 μm
Hose barb	ID4 ~ ID8	ID4 ~ ID8
Graduated increment	50 mL	50 mL



Ordering Information

MF 3 Pro, Magnetic Filter Holder (300 mL)	200300-01-P
MF 5 Pro, Magnetic Filter Holder (500 mL)	200500-01-P
1 PP lid kit	200300-36
2 PPSU magnetic funnel, 300 mL	200300-30-P
PPSU magnetic funnel, 500 mL	200500-30-P
3 PPSU magnetic support base	200300-32-P
4 Silicone stopper (No.8)	167110-16
MF 3a Pro, Magnetic Filter Holder (300 mL)	200310-01-P
MF 5a Pro, Magnetic Filter Holder (500 mL)	200510-01-P
1 PP lid kit	200300-36
2 PPSU magnetic funnel, 300 mL	200300-30-P
PPSU magnetic funnel, 500 mL	200500-30-P
3 PPSU magnetic support base (short)	200310-32-P

* PPSU: Polyphenylsulfone